

VP-LED LED Spar Buoy Lantern

- Designed for ice conditions
- Low power consumption
- High visibility
- Long service interval
- Low profile, lightweight



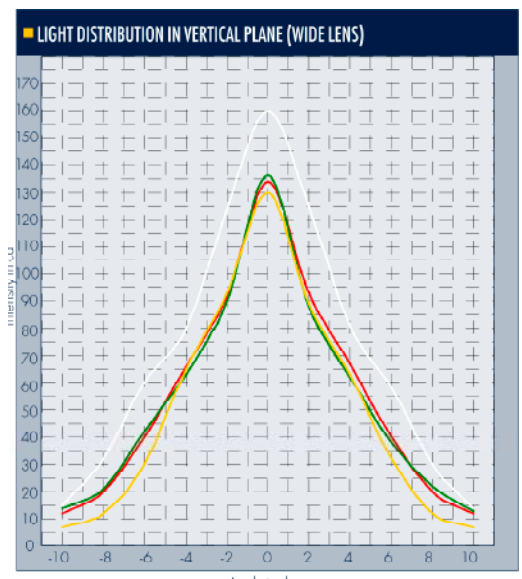
The VP-LED is a spar buoy lantern developed for integration on polyethylene plastic spar buoys and it will withstand moderate ice conditions. The lantern housing is made of epoxy painted marine grade aluminium alloy, and the complete unit has a weight of only 4 kg's.

Light Emitting Diodes (LEDs) are the light source of the unit. Highest possible light intensity and right signal colours are achieved by using the latest LED technologies. The intensity is adjustable. The light source and the optical system of the unit is designed for up to 10 years of unattended operation. The unit is available with wide (10°) or narrow (5°) divergence.

The high performance optical lens of the lantern has an unparalleled light output at an extremely low input power. The lens is moulded as a single piece in UV stabilized Lexan™ polycarbonate ensuring durability of light output with minimal fading or discoloration during aging.

■ COLOUR/MAXIMAL LUMINOUS (WIDE)	
Colour (IALA preferred zones)	Max. luminous Fixed Intensity [cd]
Green 6 W	120 cd
Red 6 W	120 cd
Yellow 6 W	100cd
White 6 W	170 cd

■ INTENSITIES/DISTANCE NIGHT-TIME		
Intensity Cd	Visibility in nautical miles	
	Tc = 0.74	Tc = 0.85
1	1.00	1.10
5	2.00	2.30
15	3.00	3.50
25	3.60	4.30
35	4.00	4.80
55	4.60	5.70
65	4.80	6.00
70	4.90	6.10
80	5.10	6.40
90	5.30	6.70
100	5.40	6.90
120	5.60	7.20
140	5.90	7.60
160	6.10	8.00
200	6.50	8.50



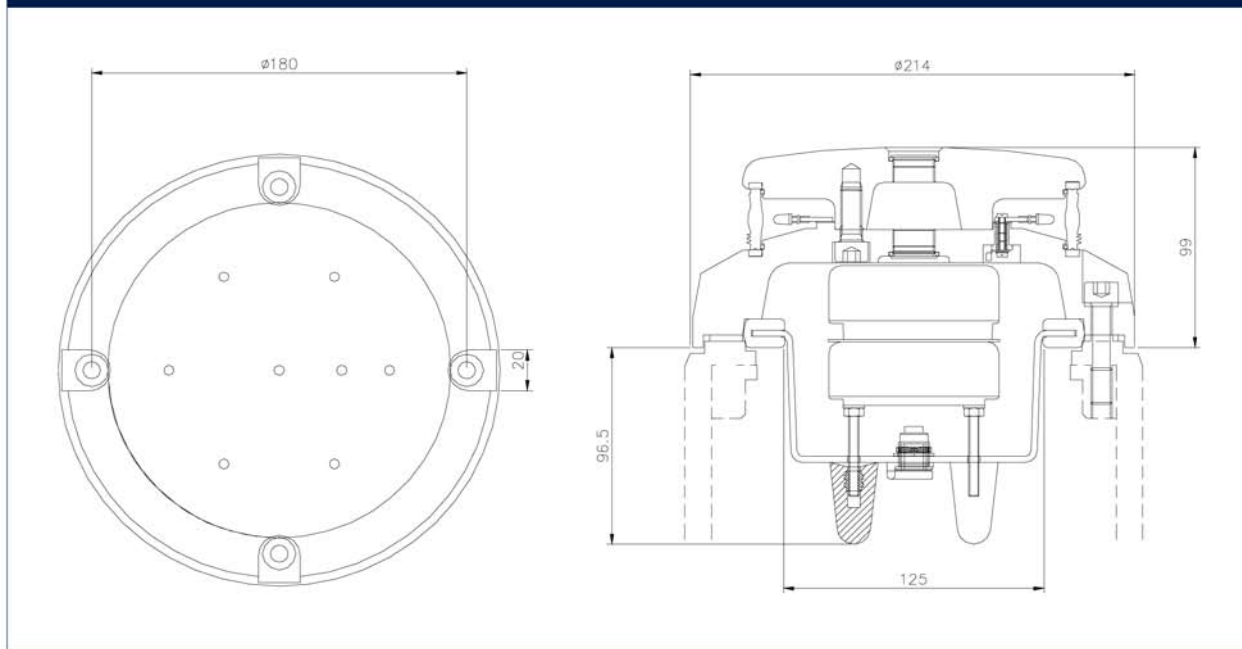
All the LED types used are colour ranked to several different colour categories. The colour chromaticity is adjusted to meet the IALA colour chromaticity standards.

ROTATIONSPLAST

ROTATIONSPLAST i Munka Ljungby AB
 Företagaregatan 13
 S-266 32 Munka-Ljungby
 Tel +46 (0)431 - 43 07 40, Fax +46 (0)431 - 43 07 48
 Epost: info@rotationsplast.se

VP-LED LED Spar Buoy Lantern

■ TECHNICAL DIMENSIONS



■ TECHNICAL SPECIFICATIONS

Lens visual/mechanical diameter	160 mm
Lens material	Lexan™ Polycarbonate
Light Source	Light Emitting Diodes (LEDs)
Peak Intensity	170 cd white, 120 cd red/green
Vertical divergence	Wide ± 5° @ 50% of peak intensity, Narrow ± 3° @ 50% of peak intensity
Colours	Red/Green/Yellow/White
Signal standards	IALA
Unit lifetime	up to 10 years
Fixing of the lantern	4 x M10 Ø 180
Weight	25 kg
Temperature Range	-40° to +60°C
Controller	Sabik LEDFlasher 6-28
Order Code	Red 980120, Green 980121, Yellow 980123, White 980122

ROTATIONSPLAST

ROTATIONSPLAST i Munka Ljungby AB
 Företagaregatan 13
 S-266 32 Munka-Ljungby
 Tel +46 (0)431 - 43 07 40, Fax +46 (0)431 - 43 07 48
 Epost: info@rotationsplast.se